



# BULLET WEATHER SHIELD

ACC-WEA-SHI-B | Weather shield, black  
ACC-ADA-PLA-W | Weather shield, white



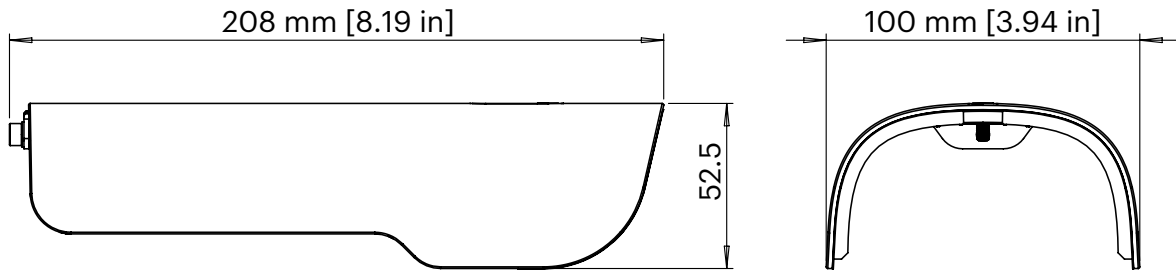
## AVA BULLET WEATHER SHIELD

Use the weather shield with the Bullet camera when additional protection against sun, rain or snow are required.

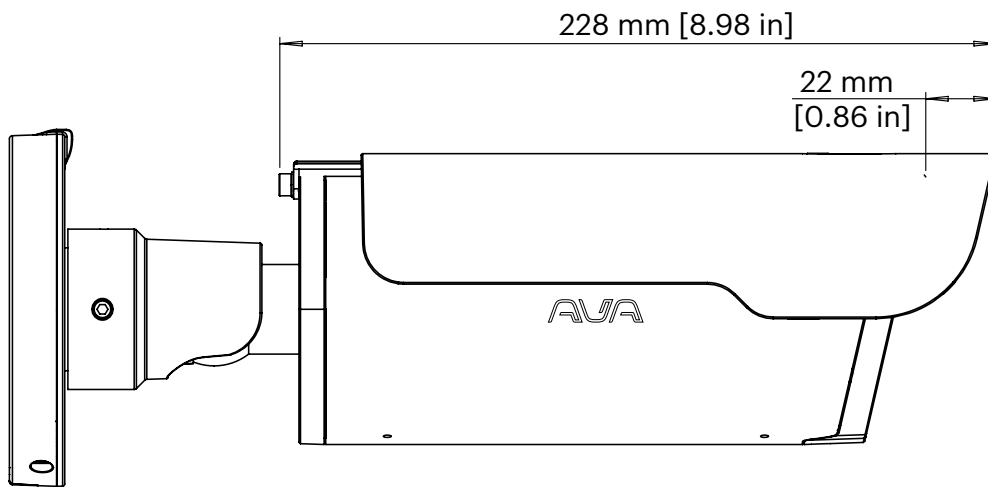
### SPECIFICATIONS

<b>Material:</b>	PC/ABS plastic
<b>Color:</b>	Black or white
<b>Weight:</b>	90 g
<b>Dimensions:</b>	208x100x52.5 mm
<b>Box dimensions:</b>	248x131x63 mm
<b>Box weight:</b>	235 g
<b>Box includes:</b>	Weather shield, weather shield bracket, screws and washers
<b>Compatible with:</b>	Ava Bullet camera

# Technical drawings



Mounted and fully extended:



Mounted to the Bullet Wide, the weather shield is visible in the video when extended. Pull the weather shield back, or zoom to above step 20 to resolve this.

